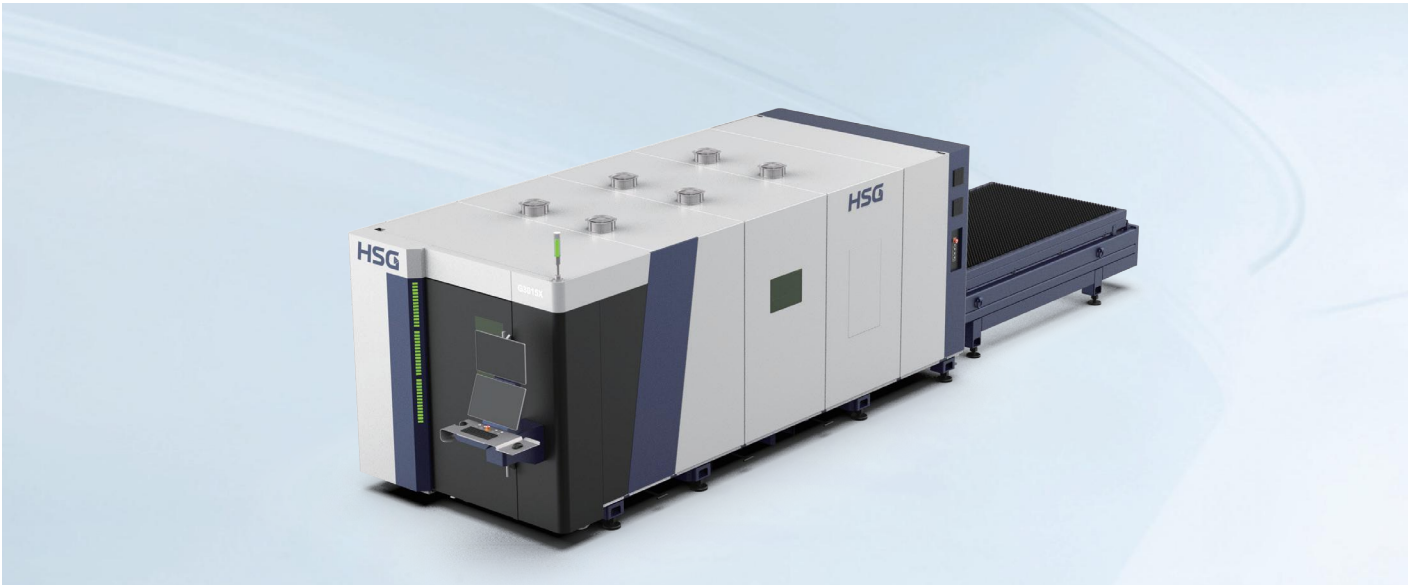


GX

High-power Bus Sheet Fiber Laser Cutting Machine

YOUR COST-EFFECTIVE SOLUTION FOR HIGH-POWER 2D LASER CUTTING



Laser Power

3-30kW

Max. Linkage Acceleration

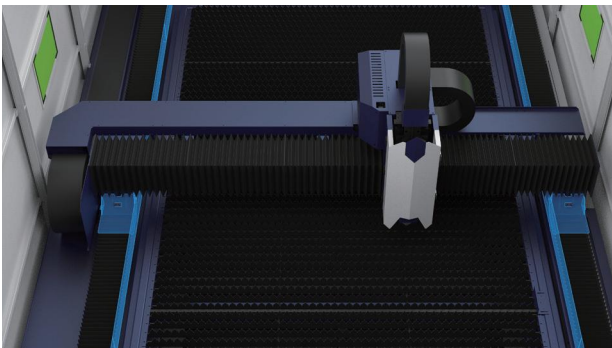
1.5 G

Max. Linkage Speed

140m/min

PRODUCT OVERVIEW

Reliable and Cost-effective Solution for High-power Processing



As our entry-level high-power laser cutting model, the GX Series provides a professional yet cost-effective solution for your 2D laser cutting needs, significantly enhancing overall performance and delivering a new standard of operational excellence.

TYPICAL PROCESSING

Up to 30kW of Powerful Performance



The new-generation GX Series features a comprehensively optimized transmission system that delivers enhanced dynamic performance, precisely matching optical inertia ratios to support high-power cutting from 3kW to 30kW. This upgrade significantly boosts overall performance, providing a next-level cutting experience.

RELIABILITY & DURABILITY

Robust Matrix Machine Bed with enhanced Rigidity

The GX Series features a robust matrix machine bed with enhanced rigidity. A redesigned matrix structure and cross-sectional welding fortify the entire machine bed, significantly boosting structural stability and minimizing impacts that could compromise performance.



EASY TO USE

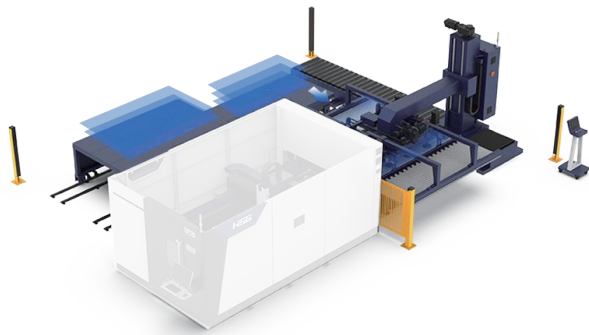
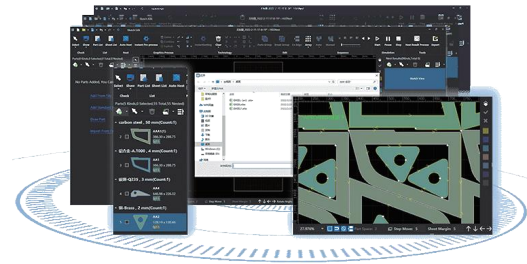
Made for High-power, Ease of Intelligent

GX equipped with the Alpha T 2.0 bus control system, delivers a suite of high-performance cutting functions. With advanced features like Intelligent Path Optimization, Smart Nesting Algorithms, Seamless Micro Connections, Non-Sensory Piercing, and Cutting Head Movement Avoidance, this system makes high-power laser cutting both effortless and incredibly precise.

EASY TO USE

Professional Nesting Software with Standard Configuration

- > High nesting utilization ratio as famous nesting software.
- > Simple operation with drawing function and support manual and automatic nesting. Support different materials and thicknesses categorized typesetting.
- > Excel batch import.



SAVE YOUR TIME

Cost-Effective Automation Solutions for Enhanced Productivity (Optional)

The GX Series features flexible automated loading and unloading systems. This integration minimizes labor, reduces cycle times, and boosts efficiency.

TECHNICAL PARAMETERS

Model	G3015X	G4020X	G6025X	G12025X
Laser Power	3-20kW	3-20kW	3-20kW	12-30kW
Cutting Area(Length*Width)	3048mmx1524mm	4064mmx2032mm	6096mmx2540mm	12500x2540mm
Maximum Acceleration	1.5G	1.5G	1.5G	1.5G
X/Y Axis Positioning Accuracy	±0.03mm/m	±0.03mm/m	±0.03mm/m	±0.03mm/m
X/Y Axis Re-positioning Accuracy	±0.03mm	±0.03mm	±0.03mm	±0.03mm

*Information and images are for reference only. Final specifications and terms are subject to the contract and may change without notice.